

PLEASE CHECK WWW.MOLEX.COM FOR LATEST PART INFORMATION

Part Number: [0387207410](#)
Status: **Active**
Description: 9.53mm (.375") Pitch Beau™ PCB Terminal Strip, with Mounting Ends, 10 Circuits, with Screw Clamp Washer

Documents:

[3D Model](#) [Product Specification PS-38710-001 \(PDF\)](#)
[Drawing \(PDF\)](#) [RoHS Certificate of Compliance \(PDF\)](#)

General

Product Family Terminal Blocks
 Series [38720](#)
 Application Wire-to-Board
 Component Type One Piece
 Product Name Fixed Mount Barrier
 Type Barrier Strip

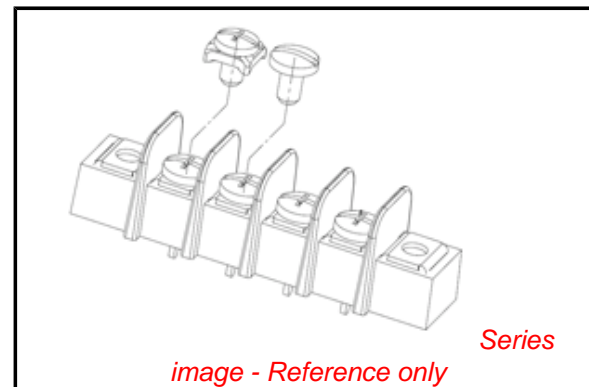
Physical

Circuits (Loaded) 10
 Circuits (maximum) 10
 Color - Resin Black
 Entry Angle Horizontal
 Lock to Mating Part None
 Material - Metal Brass
 Material - Plating Mating Tin
 Material - Plating Termination Tin
 Material - Resin Polyester
 Number of Rows 1
 Orientation Horizontal
 PC Tail Length (in) 0.190 In
 PC Tail Length (mm) 4.80 mm
 PCB Retention Yes
 PCB Thickness Recommended (in) 0.125 In
 PCB Thickness Recommended (mm) 3.18 mm
 Panel Mount No
 Pitch - Mating Interface (in) 0.375 In
 Pitch - Mating Interface (mm) 9.53 mm
 Pitch - Term. Interface (in) 0.375 In
 Pitch - Term. Interface (mm) 9.53 mm
 Plating min: Mating (µin) 150
 Plating min: Mating (µm) 3.75
 Plating min: Termination (µin) 150
 Plating min: Termination (µm) 3.75
 Polarized to Mating Part No
 Shrouded Dual-Barrier
 Stackable No
 Surface Mount Compatible (SMC) No
 Temperature Range - Operating -40°C to +130°C
 Wire Size AWG 12, 14, 16, 18, 20, 22
 Wire Size mm² 0.50 - 2.50

Electrical

Current - Maximum per Contact 25A
 Voltage - Maximum 300V

Material Info



EU RoHS

ELV and RoHS
Compliant
REACH SVHC
 Not Reviewed
Halogen-Free
Status
Not Reviewed

China RoHS



Need more information on product environmental compliance?

Email productcompliance@molex.com
 For a multiple part number RoHS Certificate of Compliance, [click here](#)

Please visit the [Contact Us](#) section for any non-product compliance questions.

Search Parts in this Series

[38720Series](#)

Mates With

N/A

Old Part Number

72510-50

Reference - Drawing Numbers

Product Specification

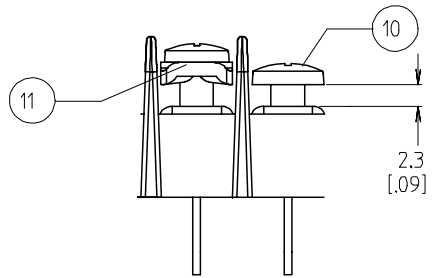
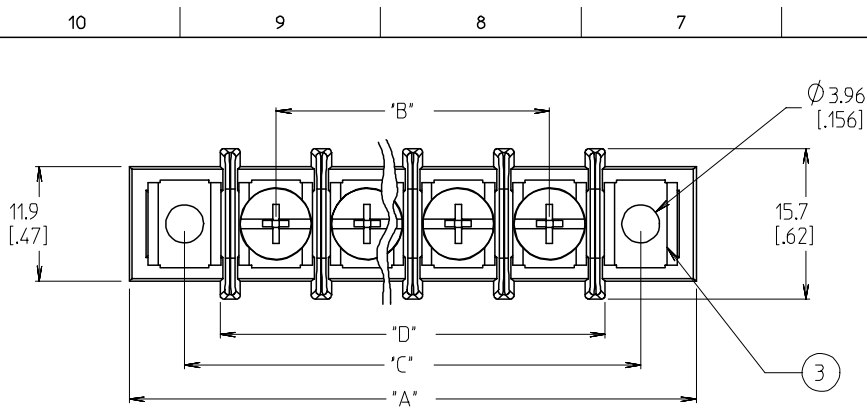
PS-38710-001

Sales Drawing

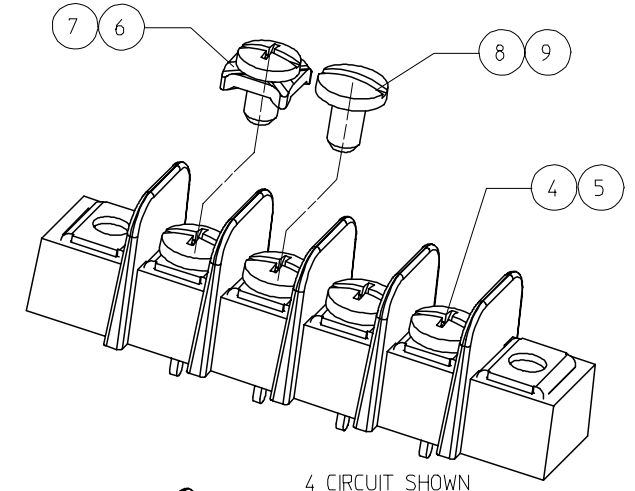
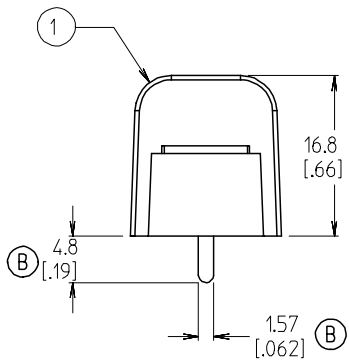
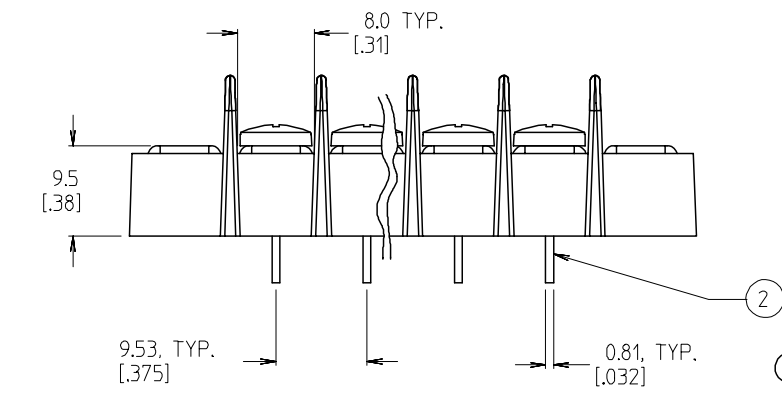
SD-38720-001

This document was generated on 04/23/2010

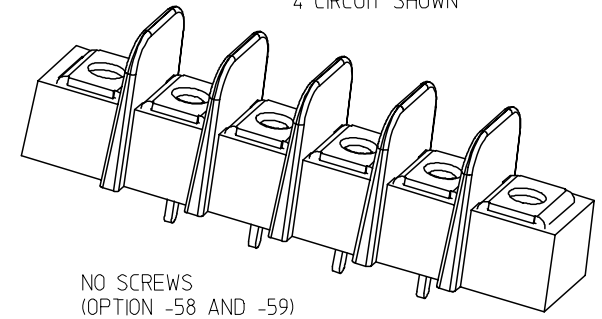
PLEASE CHECK WWW.MOLEX.COM FOR LATEST PART INFORMATION



WIRE READY SPEC. (OPTION -47)
(FOR OPTIONAL SCREW -50
AND STANDARD SCREW.)



4 CIRCUIT SHOWN



NO SCREWS
(OPTION -58 AND -59)
4 CIRCUIT SHOWN

NOTES:

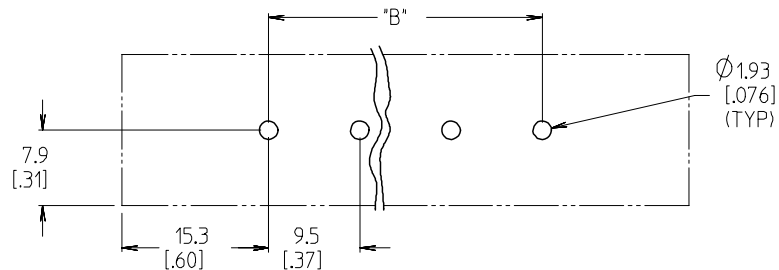
1. MATERIAL: SEE TABLE
2. FINISHES: SEE TABLE
3. INCH DIMENSIONS ARE IN BRACKETS [XXX].
4. REFER TO SD-38120-001 FOR IMPRINTING OPTIONS 10A AND 11A.
5. REFER TO SD-38120-007 FOR IMPRINTING OPTION 12A.
6. "XX" REFERS TO THE QUANTITY OF CIRCUITS.
7. ALL COMPONENTS ARE ROHS COMPLIANT.

ITEM	QTY.	DESCRIPTION	MATERIAL	FINISH
11	XX	#6-32 WRDY W/WASH SCR (-47,-50)	STEEL	ZN, CLEAR CHROMATE
10	XX	#6-32 PH/SLOT WRDY SCR (OPT -47)	STEEL	ZN, CLEAR CHROMATE
9	XX	#6-32 SLOTTED SCREW (OPT -56)	STAINLESS STEEL	PASSIVATE
8	XX	#6-32 SLOTTED SCREW (OPT -45)	STEEL	ZN, CLEAR CHROMATE
7	XX	#6-32 PH/SL W/WASH SCR (-49,-50)	BRASS	NICKEL
6	XX	#6-32 PH/SL W/WASH SCR (OPT -50)	STEEL	ZN, CLEAR CHROMATE
5	XX	#6-32 PH/SLOTTED SCREW (OPT -49)	BRASS	NICKEL
4	XX	#6-32 PH/SLOTTED SCREW (STD)	STEEL	ZN, CLEAR CHROMATE
3	2	MOUNTING PLATE	BRASS	NICKEL
2	XX	TERMINAL	BRASS	BRT.TIN/CU
1	1	INSULATOR, SINGLE ROW	PBT	BLACK

ADD MAT. NO. EC NO: ETC2007-0166 DRWN: CLYORK 2006/10/19 CHKD: JMAGNELL 2006/10/20 APPR: JMAGNELL 2006/10/20	QUALITY SYMBOLS ▽=0 ▽=0	GENERAL TOLERANCES (UNLESS SPECIFIED)		DIMENSION STYLE		SCALE	DESIGN UNITS	THIRD ANGLE PROJECTION	
				MM/IN		2:1	INCH		
		4 PLACES ±---	±---	MM	INCH	DRAWN BY DATE			
		3 PLACES ±---	±.005	W. HOWARD 2003/10/16					
2 PLACES ±0.13	±.01	CHECKED BY DATE							
1 PLACE ±0.3	±---	R. KEMP 2003/10/16							
ANGULAR ± 2 °		APPROVED BY DATE		TITLE					
DRAFT WHERE APPLICABLE		P. WALTZ 2003/10/16						9.53MM [.375] SR BTS, PC ASSY	
MUST REMAIN WITHIN DIMENSIONS		MATERIAL NO. SEE SHT. 2		DOCUMENT NO.		MOLEX INCORPORATED		SHEET NO.	
								1 OF 2	
THIS DRAWING CONTAINS INFORMATION THAT IS PROPRIETARY TO MOLEX INCORPORATED AND SHOULD NOT BE USED WITHOUT WRITTEN PERMISSION									

MATERIAL NO. (OPT 12A)	MATERIAL NO. (OPT 11A)	MATERIAL NO. (OPT 10A)	MATERIAL NO. (OPT -59)	MATERIAL NO. (OPT -58)	MATERIAL NO. (OPT -56)	MATERIAL NO. (OPT -50)	MATERIAL NO. (OPT -49,-50)	MATERIAL NO. (OPT -49)	MATERIAL NO. (OPT -47,-50)	MATERIAL NO. (STD)	NUMBER OF CIRCUITS 'XX'
		38729-1039		38729-0750	38729-0659	38729-0791	38729-1381	38729-6802		38729-6201	01
38729-0872	38729-0025	38729-0014			38729-0791	38729-0117	38729-7403	38729-6802	38729-8603	38729-6202	02
		38729-0940	38729-0945		38729-0839	38729-0839	38729-1159	38729-6804		38729-6203	03
38729-0256		38729-0346			38729-1253	38729-7405	38729-1382	38729-6804		38729-6204	04
		38729-0400	38729-0400	38729-0386	38729-0980	38729-7406	38729-1383	38729-6805		38729-6205	05
		38729-0423	38729-0407	38729-0435	38729-0440	38729-7407		38729-6806		38729-6206	06
38729-0497				38729-0508	38729-0532	38729-7408		38729-6807		38729-6207	07
		38729-0548		38729-0560		38729-7409		38729-6808		38729-6208	08
		38729-1011	38729-0598	38729-0598		38729-7409		38729-6809		38729-6209	09
		38729-0720			38729-1252	38729-7411		38729-6810		38729-6210	10
					38729-0735	38729-7412		38729-6812		38729-6212	12
				38729-0809		38729-7413				38729-6213	13
				38729-0004		38729-7414		38729-6814		38729-6214	14
										38729-6215	15
										38729-6216	16
										38729-6217	17
										38729-6218	18
										38729-6219	19
										38729-6220	20
										38729-6221	21
										38729-6222	22
										38729-6223	23
										38729-6224	24
										38729-6225	25
										38729-6226	26

NUMBER OF CIRCUITS 'XX'	DIM. 'A'		DIM. 'B'		DIM. 'C'		DIM. 'D'	
01	30.7	[1.21]	-	-	19.1	[.75]	11.6	[.46]
02	40.1	[1.58]	9.53	[.375]	28.6	[1.13]	21.1	[.83]
03	49.7	[1.96]	19.05	[.750]	38.1	[1.50]	30.6	[1.21]
04	59.2	[2.33]	28.58	[1.125]	47.6	[1.88]	40.1	[1.58]
05	68.7	[2.71]	38.10	[1.500]	57.2	[2.25]	49.7	[1.96]
06	78.2	[3.08]	47.63	[1.875]	66.7	[2.63]	59.2	[2.33]
07	87.8	[3.46]	57.15	[2.250]	76.2	[3.00]	68.7	[2.71]
08	97.3	[3.83]	66.68	[2.625]	85.7	[3.38]	78.2	[3.08]
09	106.8	[4.21]	76.20	[3.000]	95.3	[3.75]	87.8	[3.46]
10	116.3	[4.58]	85.73	[3.375]	104.8	[4.13]	97.3	[3.83]
11	125.9	[4.96]	95.25	[3.750]	114.3	[4.50]	106.8	[4.21]
12	135.4	[5.33]	104.78	[4.125]	123.8	[4.88]	116.3	[4.58]
13	144.9	[5.71]	114.30	[4.500]	133.4	[5.25]	125.9	[4.96]
14	154.4	[6.08]	123.83	[4.875]	142.9	[5.63]	135.4	[5.33]
15	164.0	[6.46]	133.35	[5.250]	152.4	[6.00]	144.9	[5.71]
16	173.5	[6.83]	142.88	[5.625]	161.9	[6.38]	154.4	[6.08]
17	183.0	[7.21]	152.40	[6.000]	171.5	[6.75]	164.0	[6.46]
18	192.5	[7.58]	161.93	[6.375]	181.0	[7.13]	173.5	[7.21]
19	202.1	[7.96]	171.45	[6.750]	190.5	[7.50]	183.0	[7.21]
20	211.6	[8.33]	180.98	[7.125]	200.0	[7.88]	192.5	[7.58]
21	221.1	[8.71]	190.50	[7.500]	209.6	[8.25]	202.1	[7.96]
22	230.6	[9.08]	200.03	[7.875]	219.1	[8.63]	211.6	[8.33]
23	240.2	[9.46]	209.55	[8.250]	228.6	[9.00]	221.1	[8.71]
24	249.7	[9.83]	219.08	[8.625]	238.1	[9.38]	230.6	[9.08]
25	259.2	[10.21]	228.60	[9.000]	247.7	[9.75]	240.2	[9.46]
26	268.7	[10.58]	238.13	[9.375]	257.2	[10.13]	249.7	[9.83]



PTH PATTERN

SEE SHEET 1 EC NO: ETC2007-0166 DRWN: CLYORK 2006/10/19 CHKD: IMACNEIL 2006/10/20 APPR: IMACNEIL 2006/10/20	QUALITY SYMBOLS	GENERAL TOLERANCES (UNLESS SPECIFIED)	DIMENSION STYLE MM/IN	SCALE 2:1	DESIGN UNITS INCH	THIRD ANGLE PROJECTION	
	DESCRIPTION	4 PLACES ±--- ±--- 3 PLACES ±--- ±.005 2 PLACES ±0.13 ±.01 1 PLACE ±0.3 ±--- ANGULAR ± 2 °	DRAWN BY W. HOWARD DATE 2003/10/16	TITLE 9.53MM [.375] SR BTS, PC ASSY			
	REV	▽=0 ▽=0	APPROVED BY P. WALTZ DATE 2003/10/16	MATERIAL NO. SEE CHART	DOCUMENT NO. MOLEX INCORPORATED SD-38720-001	SHEET NO. 2 OF 2	
	DRAFT WHERE APPLICABLE MUST REMAIN WITHIN DIMENSIONS		THIS DRAWING CONTAINS INFORMATION THAT IS PROPRIETARY TO MOLEX INCORPORATED AND SHOULD NOT BE USED WITHOUT WRITTEN PERMISSION				